



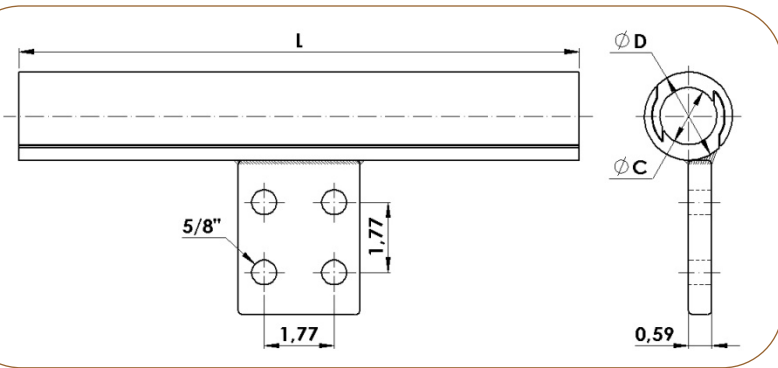
## MATERIALS

Forged parts: Aluminum.  
Extruded profiles: Aluminum.

## STANDARDS

All connectors are manufactured according to IEC 61284 standard.  
Fasteners: galvanized steel, as per ASTM A325 and ASTM A563 standards.  
Forged material - aluminum: EN-573 equivalent to ASTM B221.  
Extruded aluminum materials: EN-755 equivalent to ASTM B221.

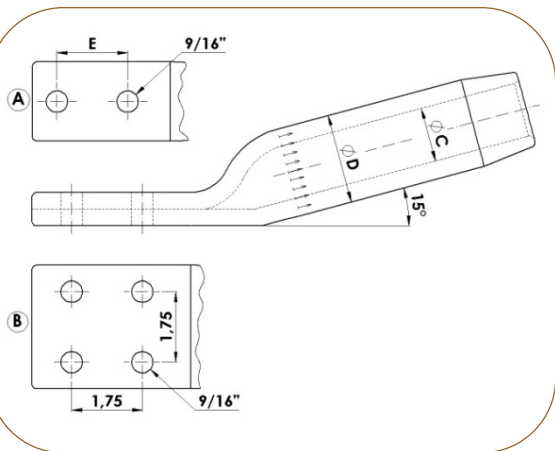
## COMPRESSION T-TAP NEMA 4



**Material:** Aluminum EN-755 equivalent to ASTM B221.

Series	Reference	ØD (inch)	ØC (inch)	L (inch)	Recommended Ø Conductor (inch)		Weight (lb)
					Min.	Max.	
E	DR-30/P4/AM	1.18	0.75	10.63	0.49	0.73	2.31
G	DR-38/P4/AM	1.52	0.98	12.01	0.69	0.96	2.76
K	DR-46/P4/AM	1.81	1.18	13.58	0.93	1.16	3.17
L	DR-50/P4/AM	1.98	1.30	14.17	1.10	1.28	3.42
N	DR-56/P4/AM	2.22	1.46	14.17	1.22	1.44	3.75
P	DR-60/P4/AM	2.36	1.63	14.96	1.38	1.61	3.92

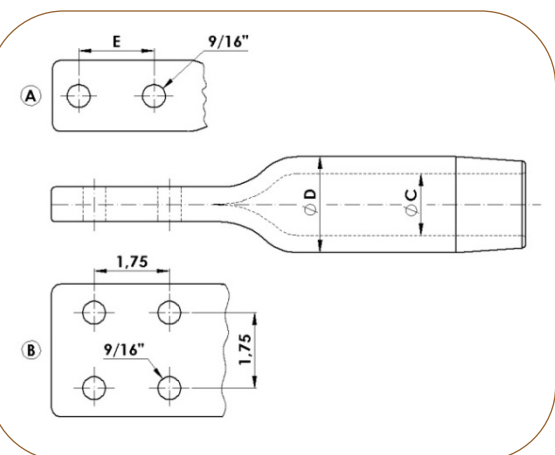
## JUMPER LUGS - EXTRUDED



**Material:** Aluminum EN-755 equivalent to ASTM B221.

Series	Dimensions (inch)		Type of blade	Weight (lb)
	Ø D	E		
B	0.81	1.18	A (NEMA 2)	0.37
D	1.00	1.18	A (NEMA 2)	0.43
E	1.18	1.75	A (NEMA 2)	0.67
G	1.52	1.75	A (NEMA 2)	1.08
K	1.81	-	B (NEMA 4)	1.79
L	1.98	-	B (NEMA 4)	1.98
N	2.22	-	B (NEMA 4)	2.87
P	2.36	-	B (NEMA 4)	3.08
66	2.60	-	B (NEMA 4)	4.63
75	2.95	-	B (NEMA 4)	4.85

\*Diameter C varies according to the diameter of the conductor.



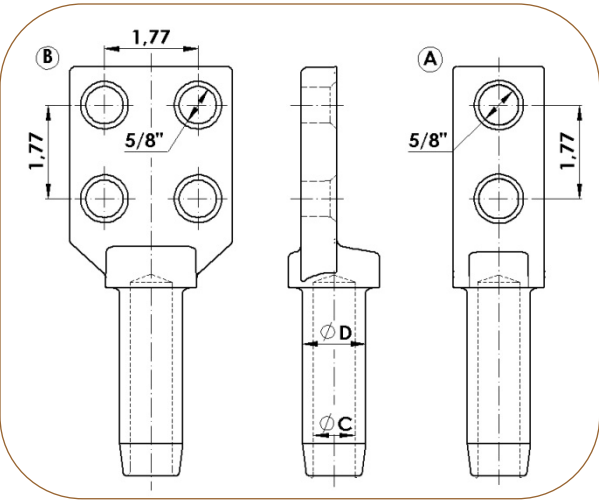
**Material:** Aluminum EN-755 equivalent to ASTM B221.

Series	Dimensions (inch)		Type of blade	Weight (lb)
	Ø D	E		
B	0.81	1.18	A (NEMA 2)	0.39
D	1.00	1.18	A (NEMA 2)	0.44
E	1.18	1.75	A (NEMA 2)	0.68
G	1.52	1.75	A (NEMA 2)	1.10
K	1.81	-	B (NEMA 4)	1.81
L	1.98	-	B (NEMA 4)	2.09
N	2.22	-	B (NEMA 4)	2.98
P	2.36	-	B (NEMA 4)	3.09
66	2.60	-	B (NEMA 4)	4.74
75	2.95	-	B (NEMA 4)	4.96

\*Diameter C varies according to the diameter of the conductor.



## JUMPER LUGS - FORGED



**Material:** Forged Aluminum EN-573 equivalent to ASTM B221.

Series	Ø D (inch)	Type of Blade	Weight (lb)
DC-27xC	1.06	A (NEMA 2)	0.72
DC-27xC	1.06	B (NEMA 4)	0.99
DC-30xC	1.18	A (NEMA 2)	0.77
DC-30xC	1.18	B (NEMA 4)	1.10
DC-38,5xC	1.52	A (NEMA 2)	0.97

•Diameter C varies according to the diameter of the conductor.

